

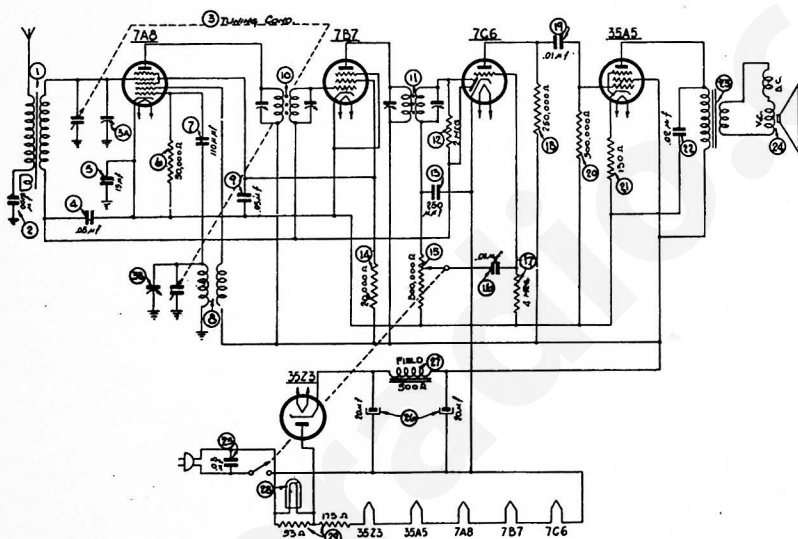
PHILCO MODEL TH-4

MODEL TH-4 is a 5 tube superheterodyne receiver covering a frequency range of 540 to 1720 kilocycles and designed for operation on either alternating current (A.C.) or direct current (D.C.) 115 volts.

An indoor aerial 20 feet in length is attached to the receiver for average receiving conditions; however in apartment houses, hotels, or steel re-inforced buildings, the Philco Utility Aerial Part No. 40-8384 is recommended.

The procedure for aligning the compensating condensers of this model will be found on page 3 under General Aligning Instructions.

NOTE: If no sound is heard after connecting the receiver to the power supply and sufficient time has been allowed for the tubes to heat, reverse the electric plug in the outlet. The same procedure should be observed on A.C. power supplies when a slight hum is heard with the volume turned low.



REPLACEMENT PARTS

TRANSITONE HOME RADIO MODEL TH-4

Schem. No.	Description	Philco Part No.	Schem. No.	Description	Philco Part No.
1	Antenna Transformer.....	32-3151	22	Tubular Condenser (.02 mf., 400v.)	30-4516S
2	Tubular Condenser (.0015 mf., 200v.)	30-4555S	23	Output Transformer	
3	Tuning Condenser.....	31-2354		For Speaker 36-1469-1.....	32-8047
4	Tubular Condenser (.05 mf., 400v.)	30-4519S		For Speaker 36-1469-9.....	32-8044
5	Tubular Condenser (.15 mf., 400v.)	30-4505S	24	Speaker.....	36-1469
6	Resistor (50,000 ohms, 1/3 watt)...	33-350244	25	Tubular Condenser (.03 mf., 400v.)	30-4449S
7	Mica Condenser (110 mmf.).....	30-1031	26	Electrolytic Condenser (20-20mf, 150v)	30-2382
8	Oscillator Transformer.....	32-3152	27	Field Coil -- Part of Speaker No.	36-1469
9	Tubular Condenser (.05 mf., 400v.)	30-4519S	28	Pilot Lamp.....	34-2088
10	1st I.F. Transformer.....	32-3149	29	Line Resistor.....	33-3387
11	2nd I.F. Transformer.....	32-3150		Cone Assembly (for Speaker 36-1469-1)	36-4115
12	Resistor (2 meg., 1/3 watt).....	33-520244		Cone Assembly (for Speaker 36-1469-9)	36-4113
13	Mica Condenser (250 mmf.).....	30-1032		Drive Cord Assy.....	31-2358
14	Resistor (20,000 ohms, 1/3 watt)...	33-320244		Drive Shaft Assy.....	31-2355
15	Volume Control 500,000 ohms).....	33-5306		Pilot Lamp Socket.....	36-9825
16	Tubular Condenser (.01 mf., 200v.)	30-4479S		Pointer.....	27-4891
17	Resistor (4 meg., 1/3 watt).....	33-540244		Power Cord.....	L-3199
18	Resistor (250,000 ohms, 1/3 watt)...	33-425244		Scale.....	27-5553
19	Tubular Condenser (.01 mf., 400v.)	30-4572S		Socket.....	27-6130
20	Resistor (500,000 ohms, 1/3 watt)...	33-450244		Spring (Drive Cord).....	28-8954
21	Resistor (150 ohms, 1/2 watt).....	33-113336		Speaker Assy.....	36-1469

MODEL TH-4T

Cardboard Back.....	27-9511
Dial Window.....	27-5472
Grille Cloth.....	44-1287
Knob Assy.....	27-4809

MODEL TH-4T IVORY

Cardboard Back.....	27-9546
Knob Assembly.....	27-4810